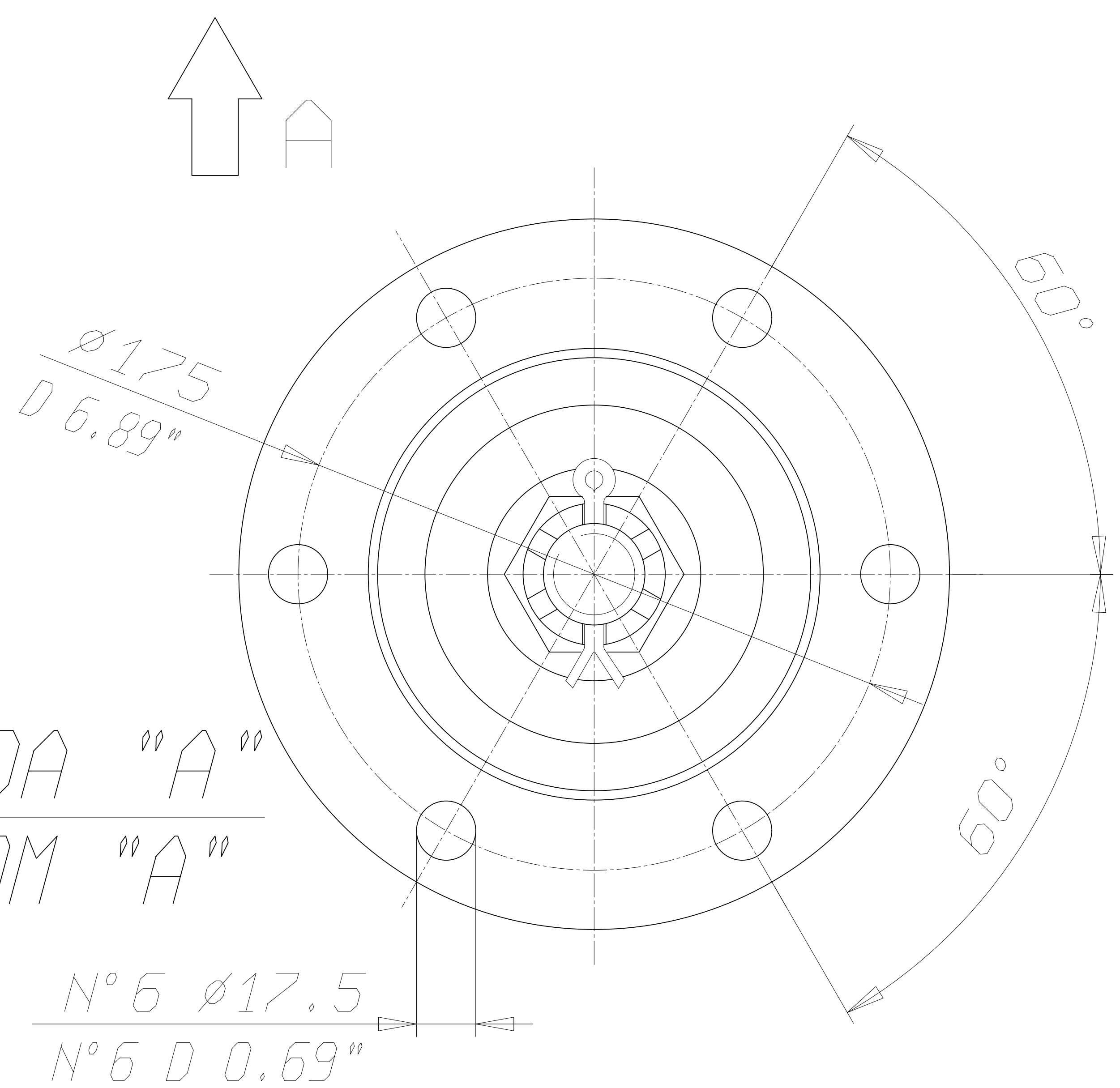


MOZZO COD. 298614000 DA ORDINARE E SPEDIRE SEPARATAMENTE

HUB COD. 298614000 SUPPLIED AND SHIPPED SEPARATELY

VISTA DA "A"  
VIEW FROM "A"

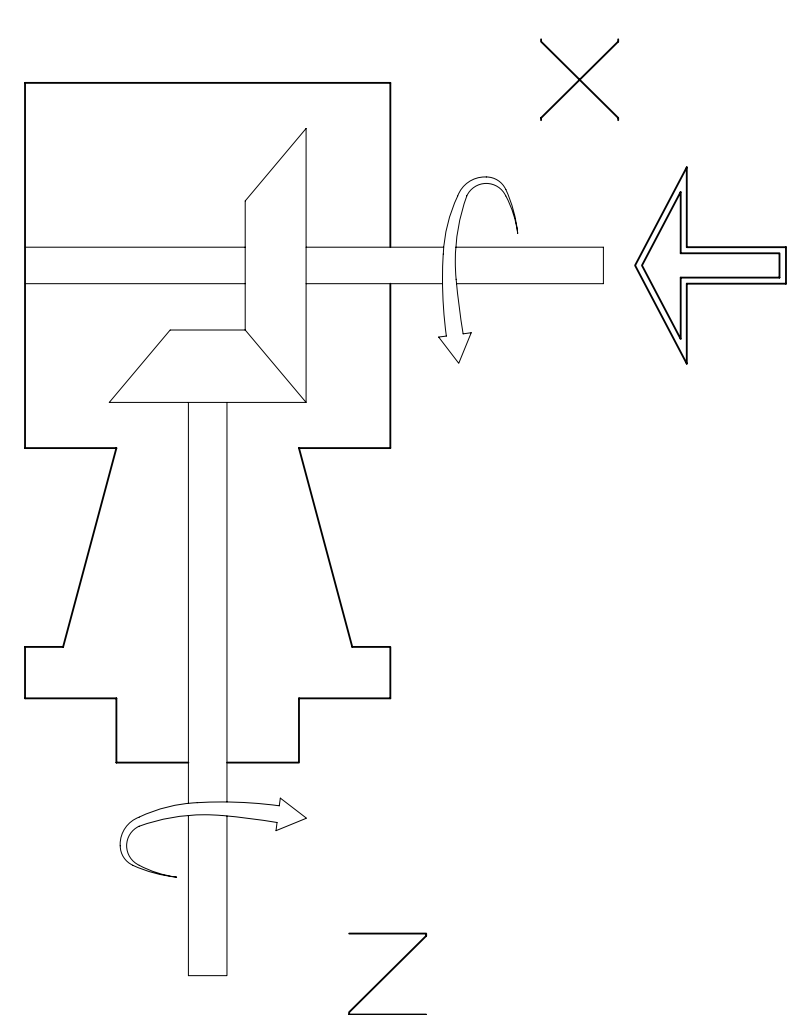


WARNING!

ROTATING SHAFTS MARKED  
 ARE NOT SHIELDED.  
 ANY SHAFT AND COUPLING NOT  
 GUARDED BY LOCATION MUST BE  
 SHIELDED BY AN INTERACTIVE  
 GUARDING SYSTEM.  
 BONDOLI & PAVESI DECLINES  
 RESPONSIBILITY IF PROPER GUARDS  
 ARE NOT PROVIDED AND MAINTAINED.

|      |  |              |           |
|------|--|--------------|-----------|
| D    | Modificati fori cuffia; erano n.4 / Modified holes: were n.4 | M.Raffaldoni | 30/3/2017 |
| C    | AGGIUNTO CODICE CLIENTE. Added code customer.                | F.Turci      | 14/9/2015 |
| B    | AGGIUNTO RIFERIMENTO CLIENTE. Added customer reference.      | F.Turci      | 28/7/2015 |
| Rev. | Descrizione Modifica   | Operatore    | Data      |

MONTAGGIO / GEAR ARRANGEMENT



|                                  |                                      |   |        |
|----------------------------------|--------------------------------------|---|--------|
| RAPPORTO / RATIO                 | TIPO / TYPE                          | CLIENTE / CUSTOMER (C)                      |        |
| 1:1.25                           | 3070                                 | 4600031 ALAMO MANUFACTURING SERVICES (UK) L |        |
| GIRI IN ENTRATA / INPUT SPEED    | PESO / WEIGHT                        | DISEGNATO / DESIGNED BY                     |        |
| 540                              |                                      | RAFFALDONI                                  |        |
| POTENZA IN ENTRATA / INPUT POWER |                                      | DATA / DATE                                 |        |
| 75 CV 55 KW                      |                                      | 13/10/93                                    |        |
| RIF. CLIENTE / CUSTOMER REF.     | TIPO DI MACCHINA / TYPE OF IMPLEMENT | CODICE / CODE                               |        |
| 5770007 (B)                      |                                      | S3070125002                                 |        |
|                                  |                                      |   | REV. D |

